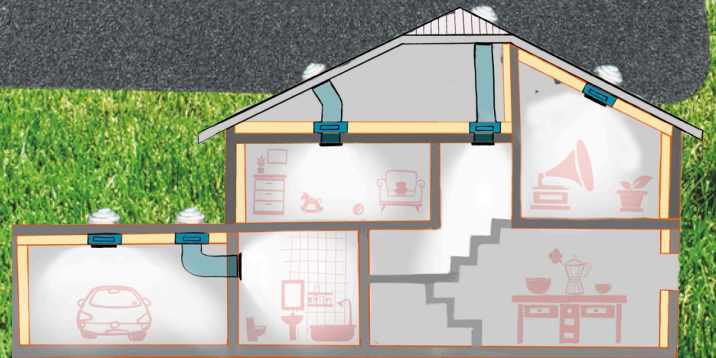


# Intura SunTube

**SunTube**  
sun tunnels  
next level



**For every daylight solution**

[www.intura.co.uk](http://www.intura.co.uk)

# FLAT ROOF

## NEW

- Pre-installed roofing
- Crystal glass dome
- Double-walled insulated upstand RAL 9005
- Updated EcoPower Insulation Element based on 14cm PIR



Bitumen



EPDM



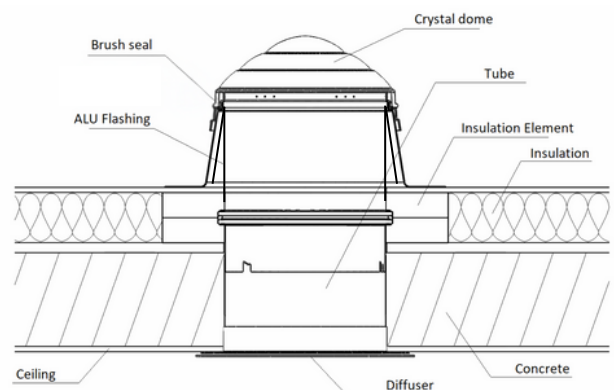
PVC

The Intura SunTube daylight sun tunnel system transports natural daylight to dark areas in any desired space under a flat or sloped roof. The dome is made of crystal glass, making it quiet, strong, self-cleaning, and durable.

The innovative Intura SunTube daylight sun tunnels are the ultimate solution to transform your home or workplace into a healthy and pleasant environment with natural daylight. Our crystal glass light-capturing dome captures natural daylight and channels it deep into your home or business through an advanced reflective tube. The soft, diffused light is evenly distributed by a stylish ceiling plate, filling every room with bright, natural light.

The Intura SunTube, available in diameters of Ø25, Ø35, or Ø55 cm, is a versatile daylight tube perfect for both residential and commercial spaces. This sun tunnel provides an ideal daylight output and ensures maximum illumination in areas such as living rooms, bedrooms, bathrooms, offices, meeting rooms, hallways, and retail spaces.

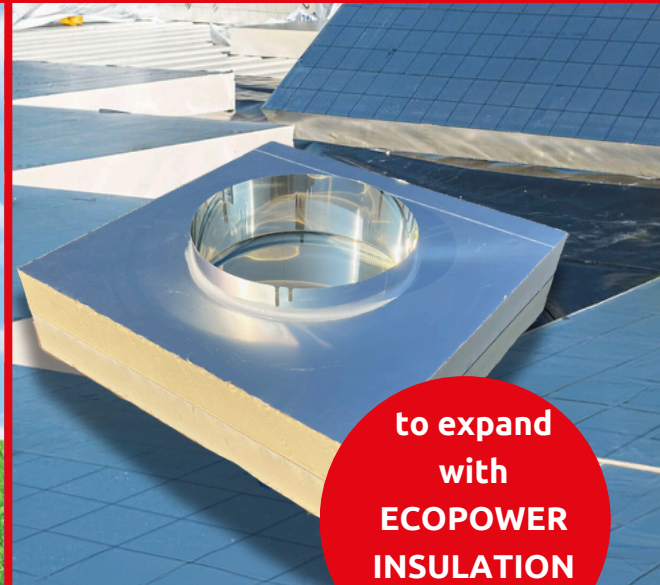
The Intura SunTube is suitable for both new construction and renovation projects, regardless of the type of roof. Make the most of every space and experience the power of natural daylight with the Intura SunTube!



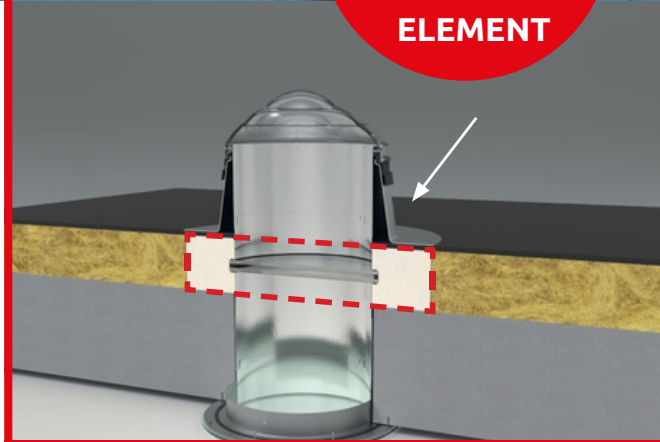
# PITCHED ROOF



Intura SunTube daylight tubes are also ideal for installation on sloped roofs. The double-walled insulated upstands of the SunTube25, SunTube35 and SunTube55 come standard with Leadax (lead substitute made from recycled PVB), making them easy to install on a tiled roof.



to expand with  
**ECOPOWER INSULATION ELEMENT**



## ECOPOWER INSULATION ELEMENT

- 14 CM PIR with double glass or triple glass
- PIR insulation RC value: Rd insulation value 6.30
- Available for all SunTube dimensions

## Price list

	SunTube25	SunTube35	SunTube55
Basic set flat roof crystal glass dome <i>Choice to Bitumen, PVC or EPDM pre-installed</i>	624.01 <b>748.80</b>	690.90 <b>829.80</b>	
Basic set flat roof acrylic (PMMA) dome <i>Choice to Bitumen, PVC or EPDM pre-installed</i>			1,167.27 <b>1,400.64</b>
Basic set pitch roof crystal glass dome <i>Leadax flashing, 2x mirror tube 60cm + 1x elbow tube up to 45°</i>	819.00 <b>982.80</b>	918.00 <b>1,101.60</b>	
Basic set pitch roof acrylic (PMMA) dome <i>Leadax flashing, 2x mirror tube 60cm + 1x elbow tube up to 45°</i>			1,499.90 <b>1,799.88</b>
EcoPower insulation element HR++	358.15 <b>429.78</b>	368.53 <b>442.24</b>	477.96 <b>573.34</b>
EcoPower insulation element HR+++	405.03 <b>486.04</b>	424.78 <b>509.74</b>	643.59 <b>772.31</b>
Extra mirror Tube 60 cm	70.16 <b>84.19</b>	85.08 <b>102.10</b>	126.67 <b>152.00</b>
Elbow tube up to 45°	125.79 <b>150.95</b>	142.66 <b>171.19</b>	209.57 <b>251.48</b>
Tube GU10 lighting fitting	74.00 <b>88.80</b>	74.00 <b>88.80</b>	74.00 <b>88.80</b>

Prices in GBP (£)

Excl. VAT  
Incl. 20% VAT

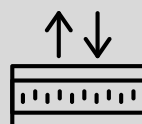


The Intura SunTube basic set consists of the following components:

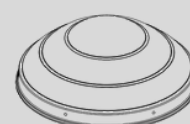
1. Crystal glass dome
2. Aluminum roof upstand with pre-installed roof covering
3. Tube length of 60 cm (can be shortened)
4. Easyclick diffuser for easy installation
5. Installation accessories



**SUPER FAST  
INSTALLATION TIME**



**ECOPOWER  
INSULATION ELEMENT**



**CRYSTAL  
GLASS DOME**



**Intura.**

**Intura Daylight Systems Ltd.**  
**15 Roxford Close, TW17 8RS**  
**Upper Halliford - UK**

**T: +44 1932 731759**  
**E: [info@intura.co.uk](mailto:info@intura.co.uk)**  
**W: [www.intura.co.uk](http://www.intura.co.uk)**

All prices in this flyer are in GBP, subject to price changes.  
No rights can be derived from the text in this flyer.