

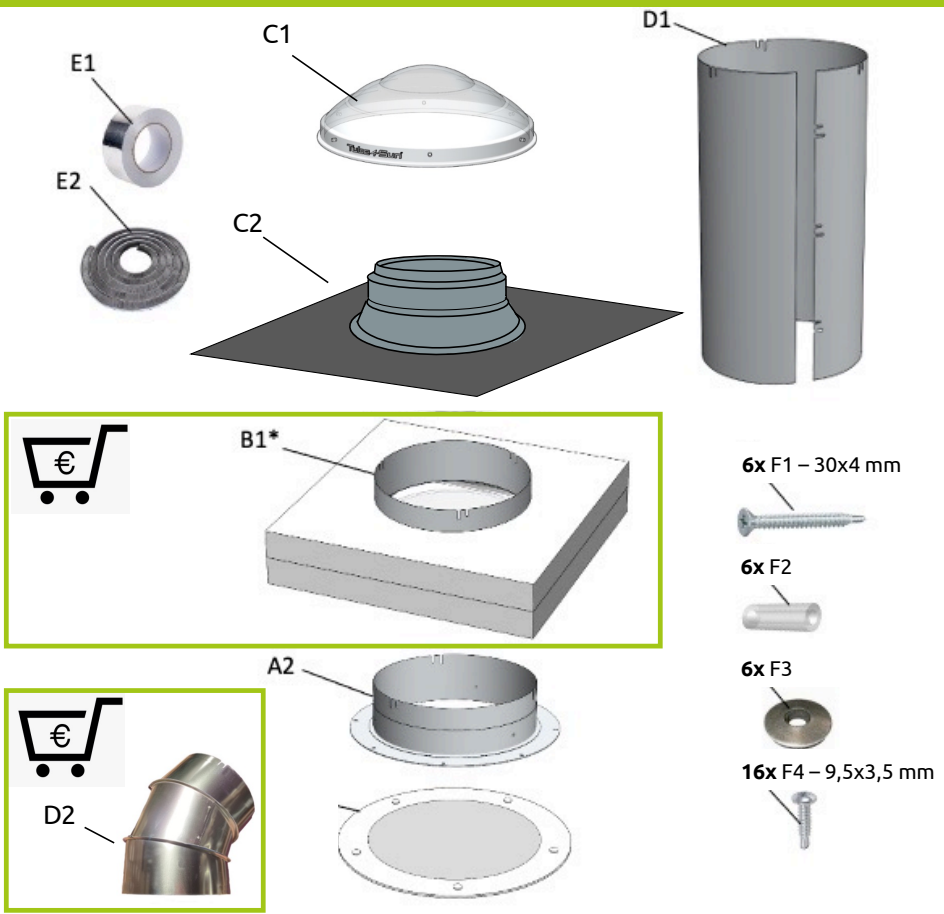


Intura SunTube

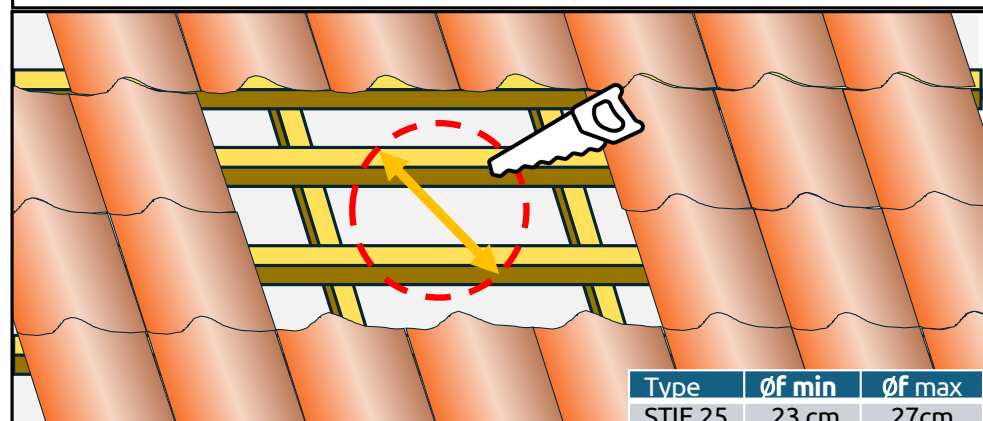
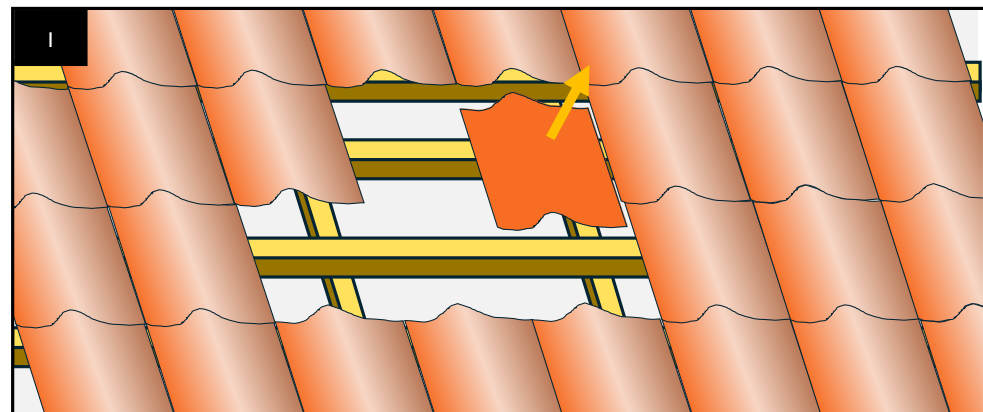
Intura SunTube + EcoPower insulation element

Intura SunTube p 2-9

Intura SunTube + EcoPower insulation element p 10-13

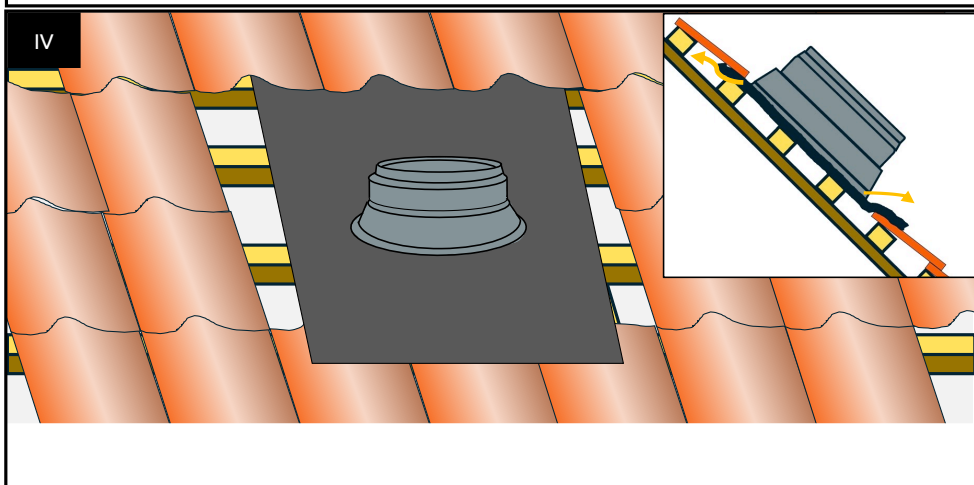
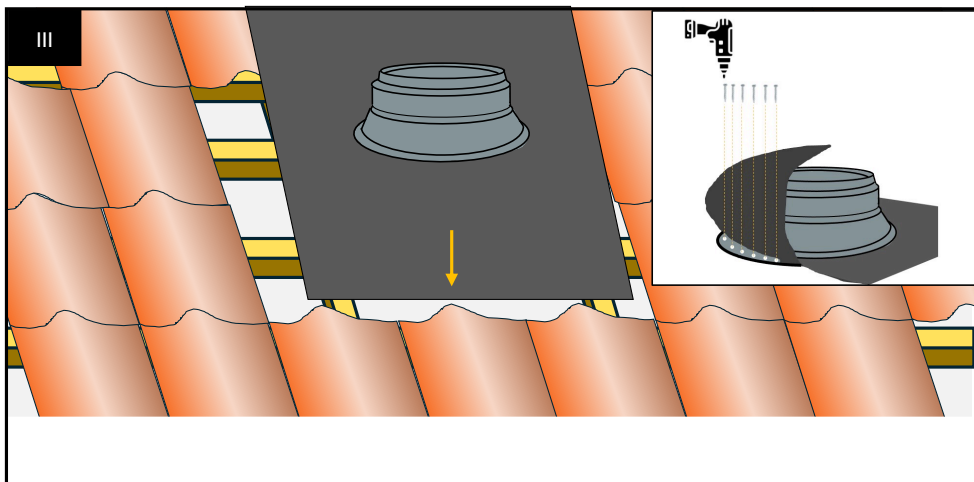


Intura SunTube

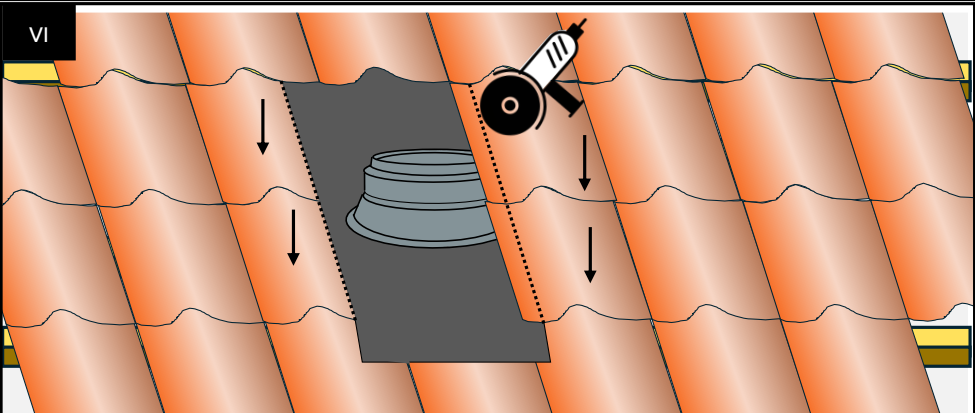
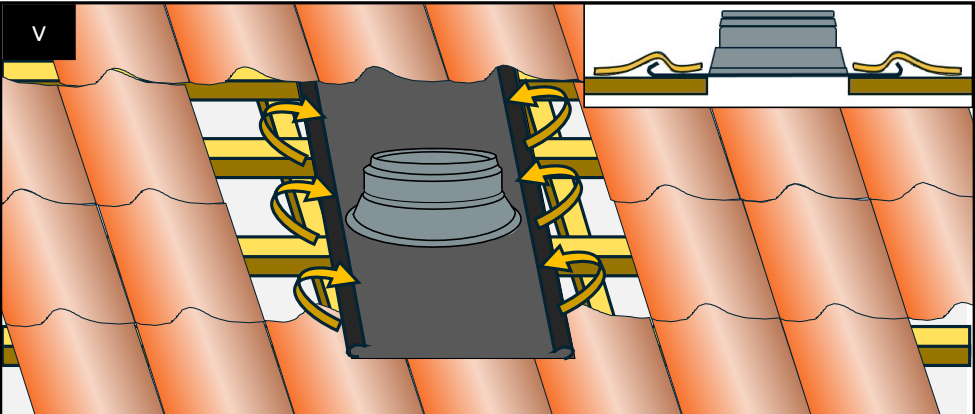


Type	Øf min	Øf max
STIE 25	23 cm	27cm
STIE 35	33cm	37 cm
STIE 55	53 cm	57 cm

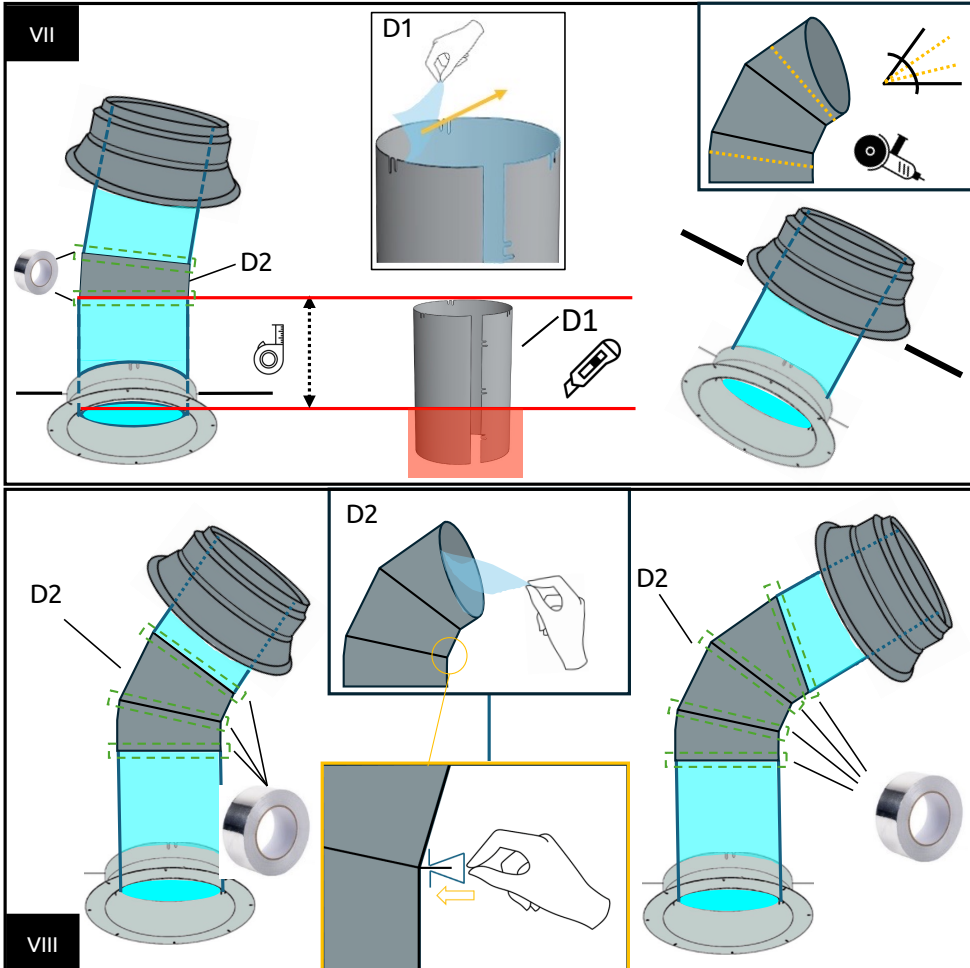
Intura SunTube



Intura SunTube

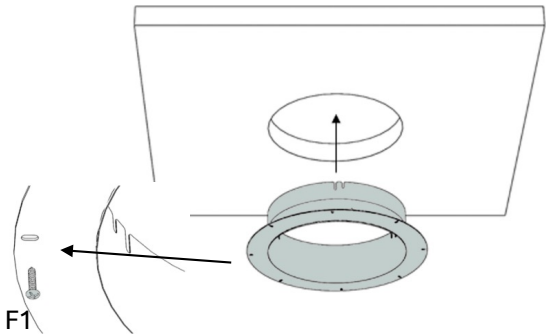
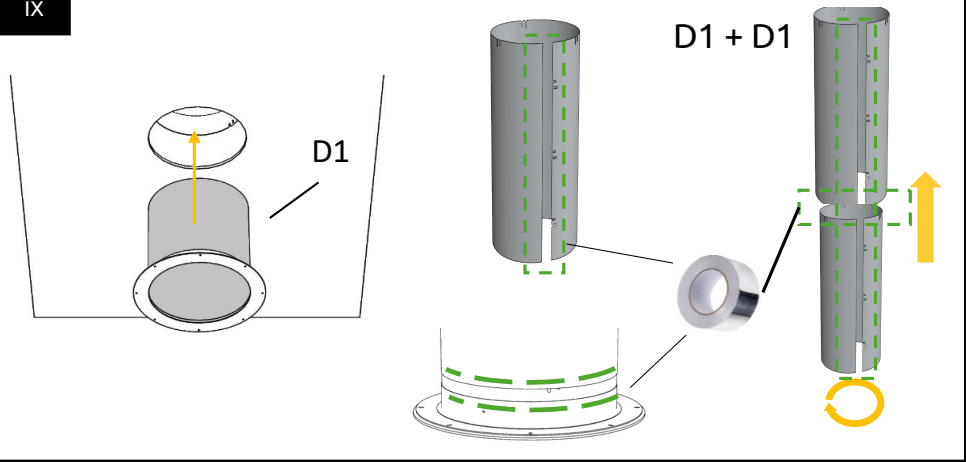


Intura SunTube



Intura SunTube

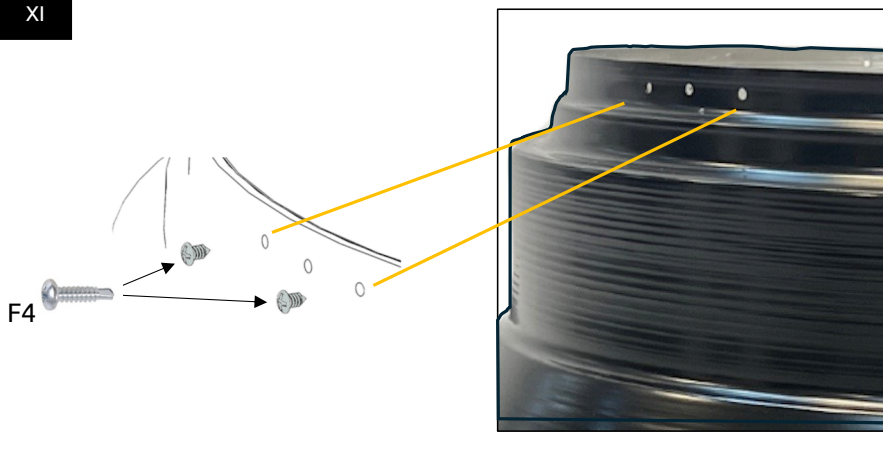
IX



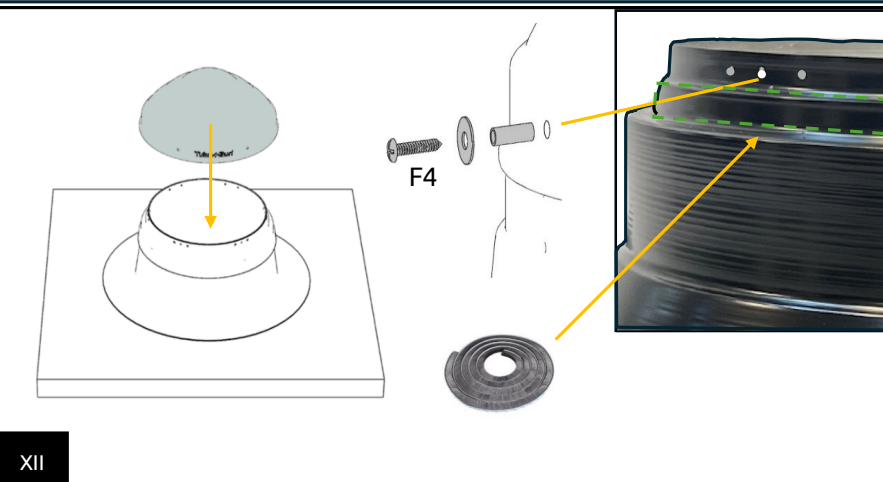
X

Intura SunTube

XI

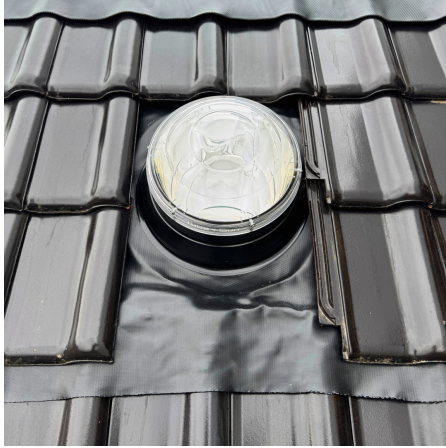
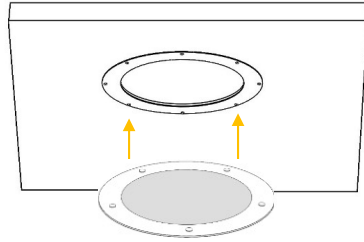
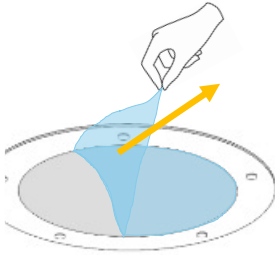


XII

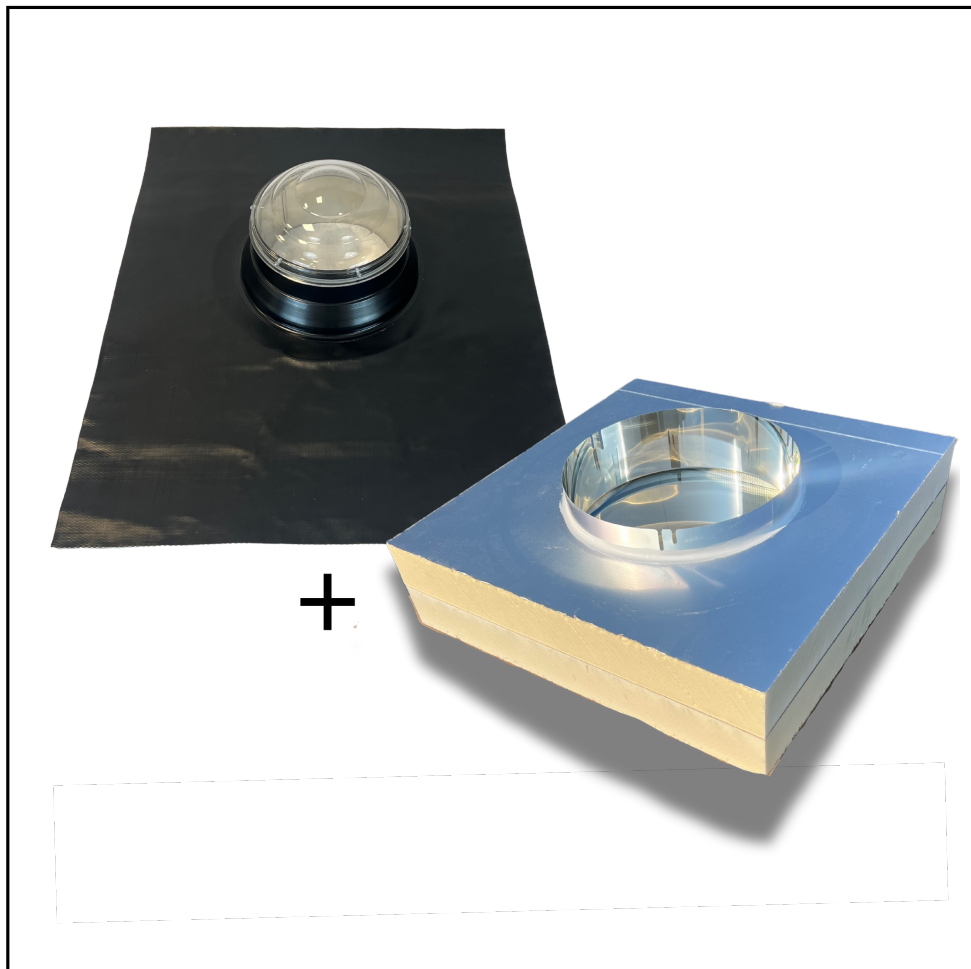


Intura SunTube

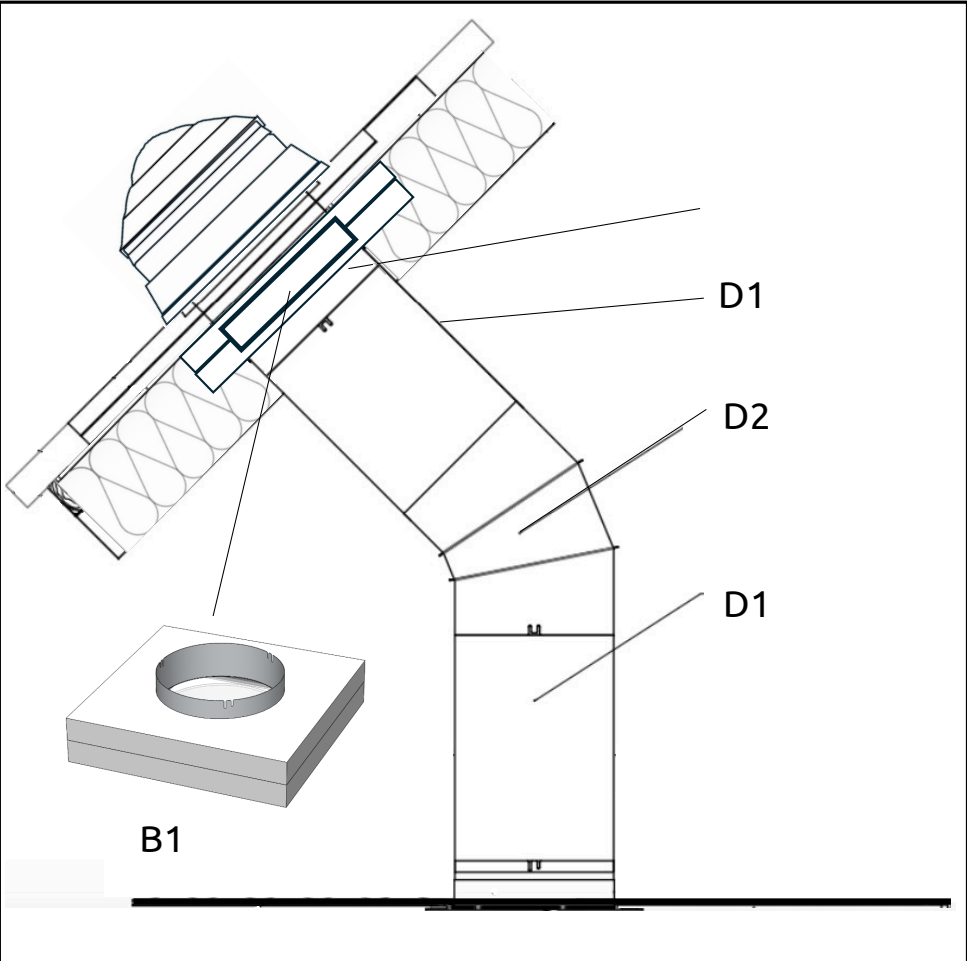
XIII



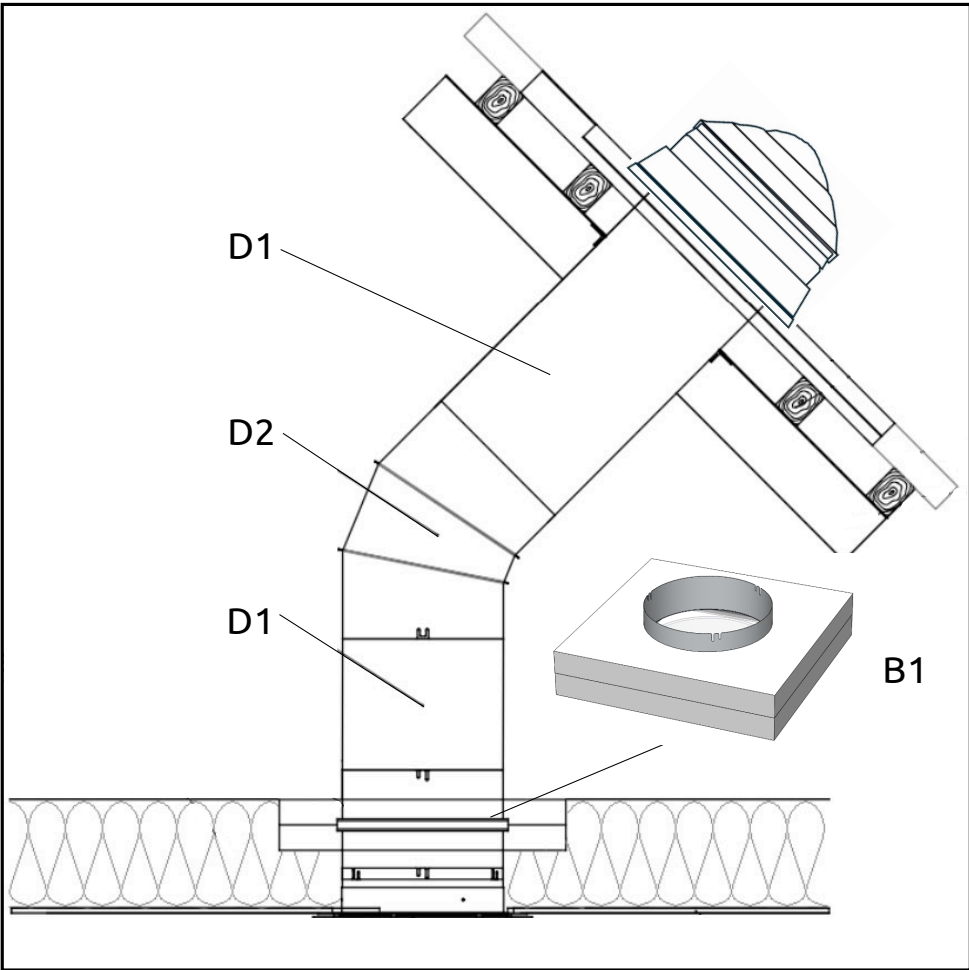
Intura SunTube + EcoPower insulation element



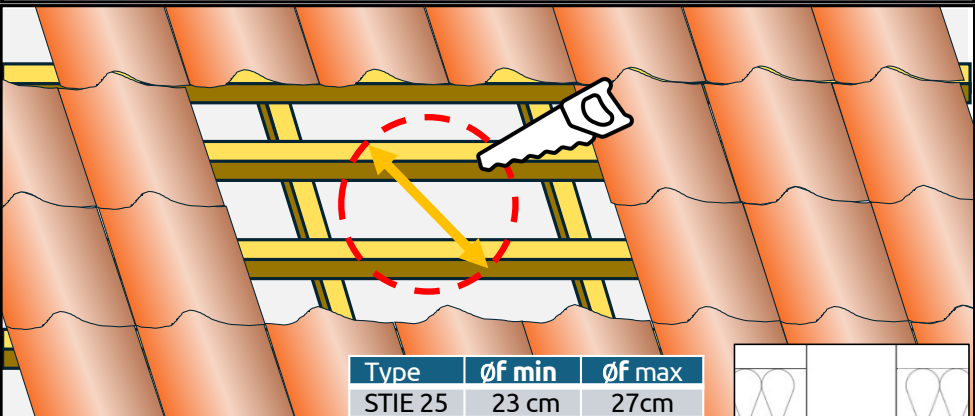
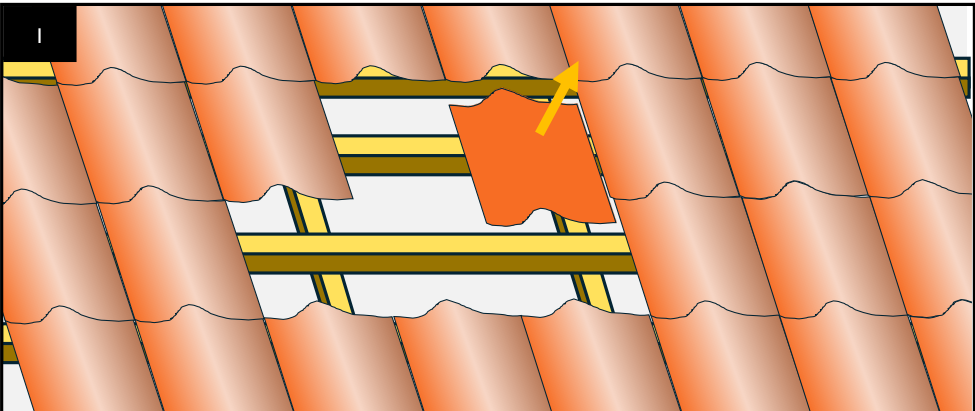
Intura SunTube + EcoPower insulation element



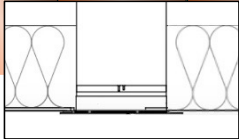
Intura SunTube + EcoPower insulation element



Intura SunTube + EcoPower insulation element

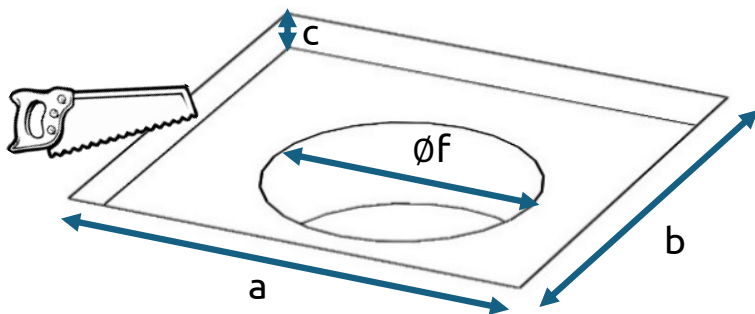


Type	Øf min	Øf max
STIE 25	23 cm	27cm
STIE 35	33cm	37 cm
STIE 55	53 cm	57 cm

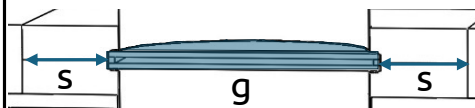
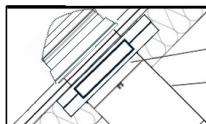


Intura SunTube + EcoPower insulation element

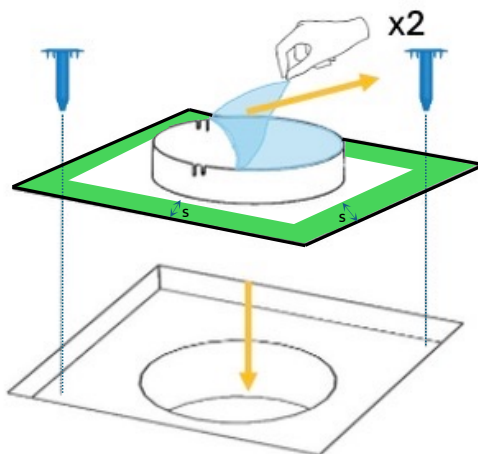
III



Type	a	b	c	Øf min	Øf max
STIE 25	47 cm	47cm	14 cm	23 cm	27cm
STIE 35	57cm	57 cm	14 cm	33cm	37 cm
STIE 55	77 cm	77 cm	14 cm	53 cm	57 cm

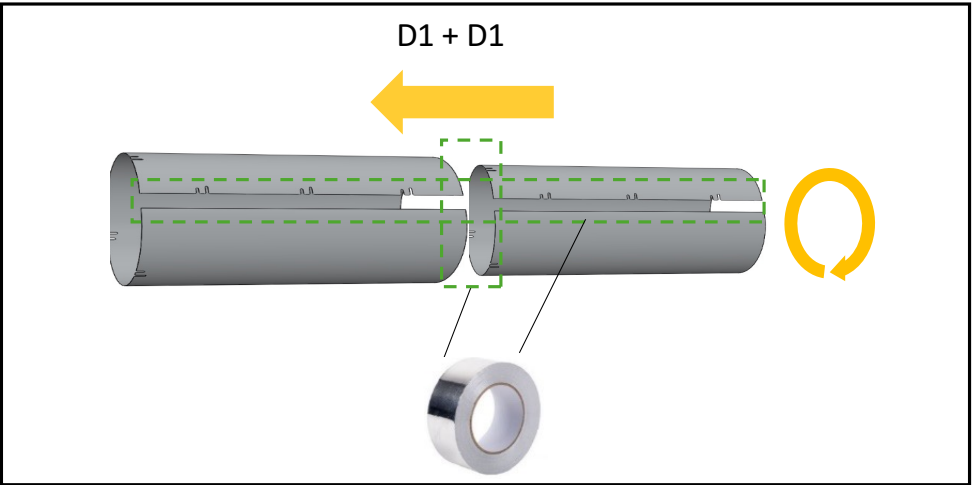
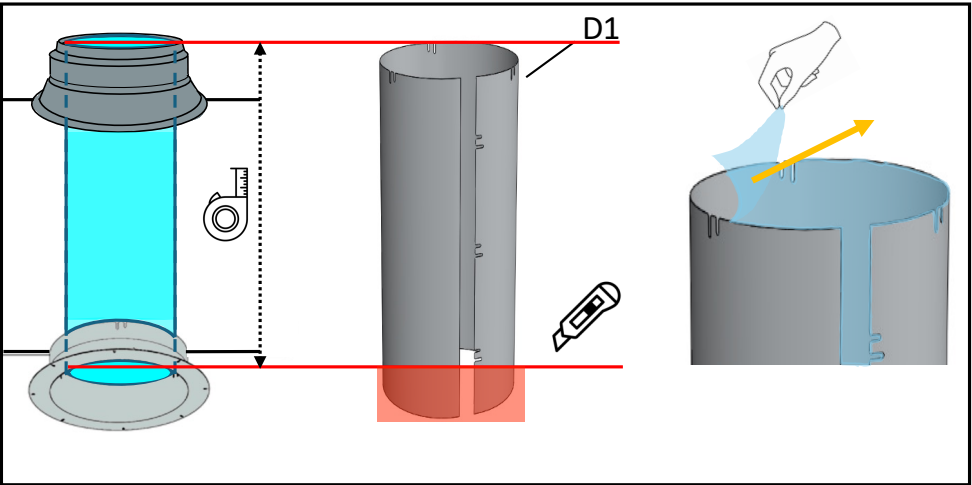


Type	g	s
STIE 25	247 mm	323mm
STIE 35	347mm	223 mm
STIE 55	547 mm	223 mm

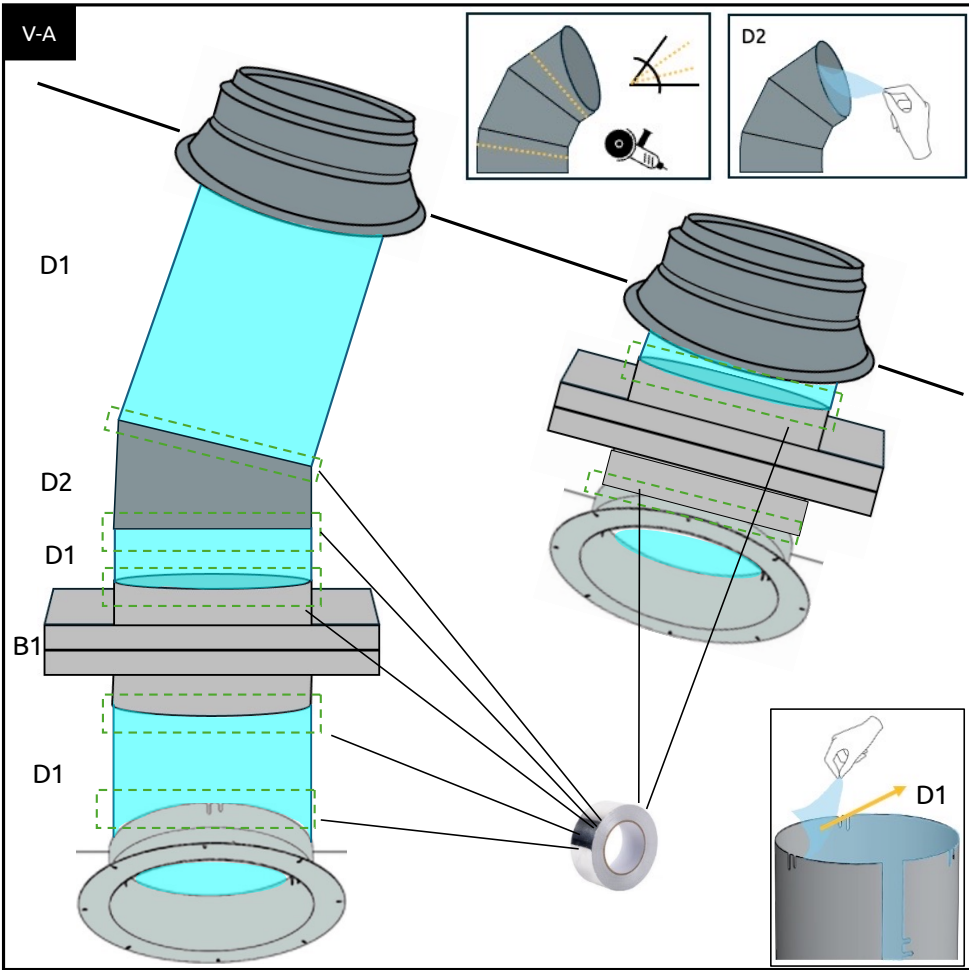


IV

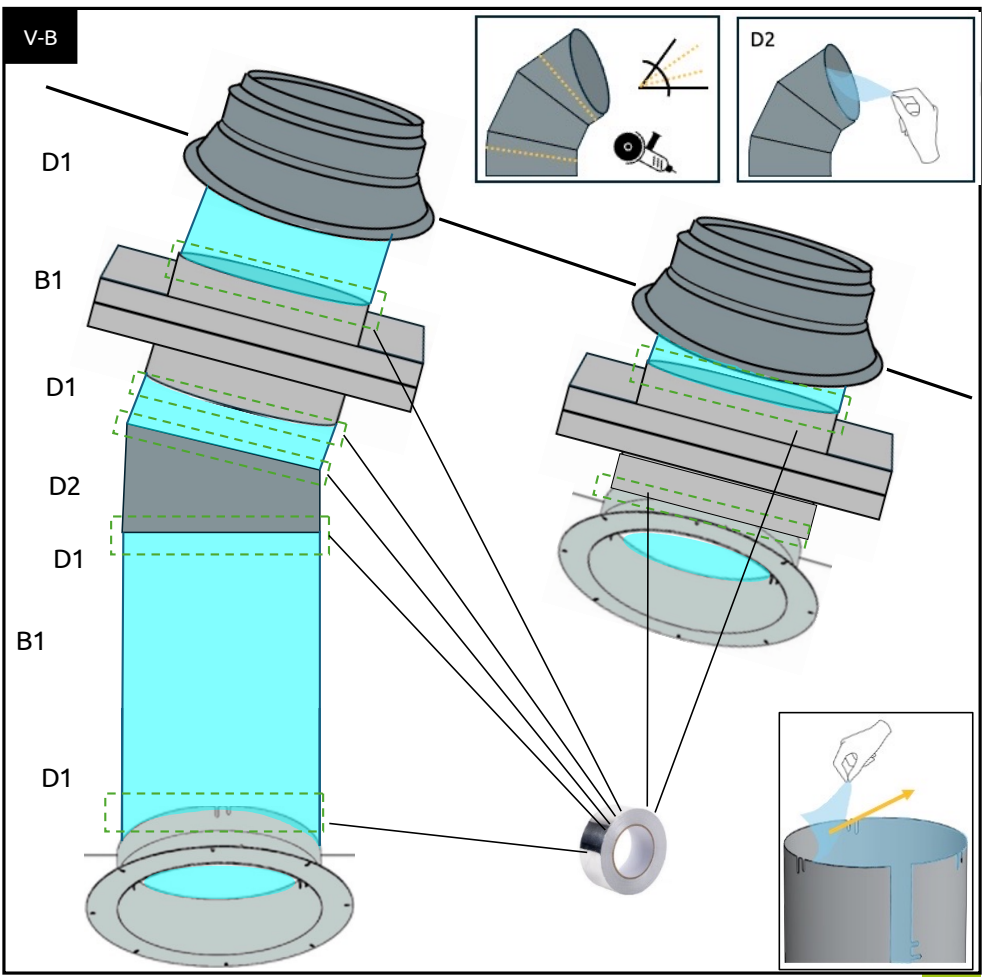
Intura SunTube + EcoPower insulation element



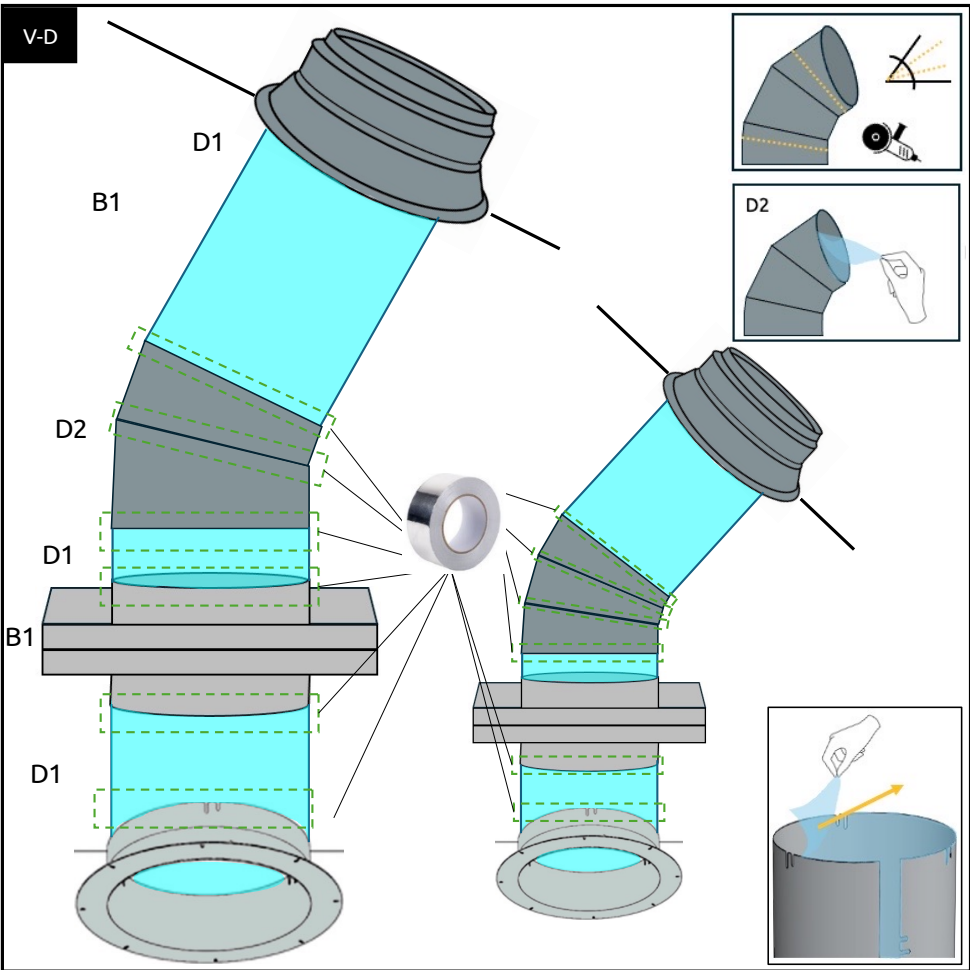
Intura SunTube + EcoPower insulation element



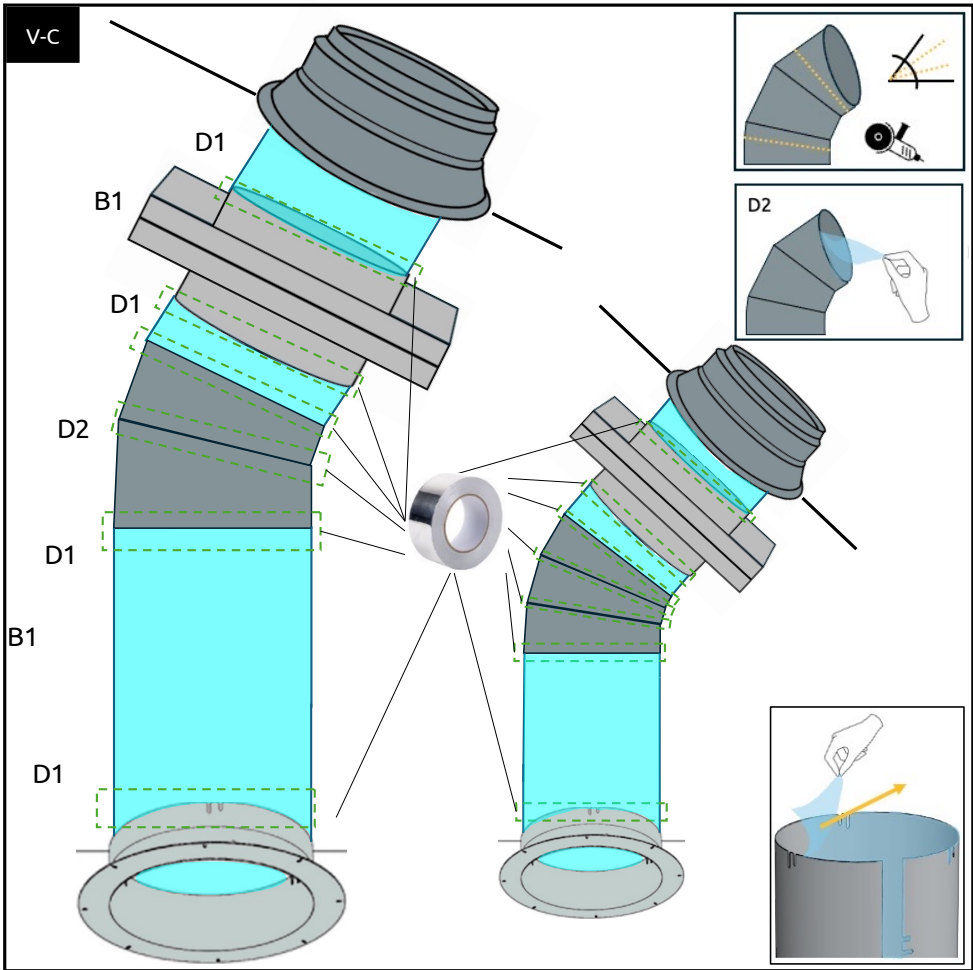
Intura SunTube + EcoPower insulation element



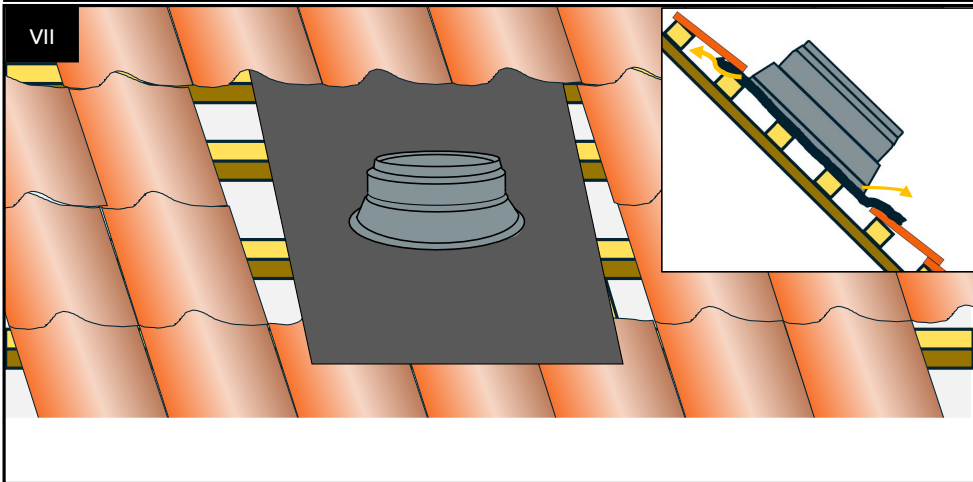
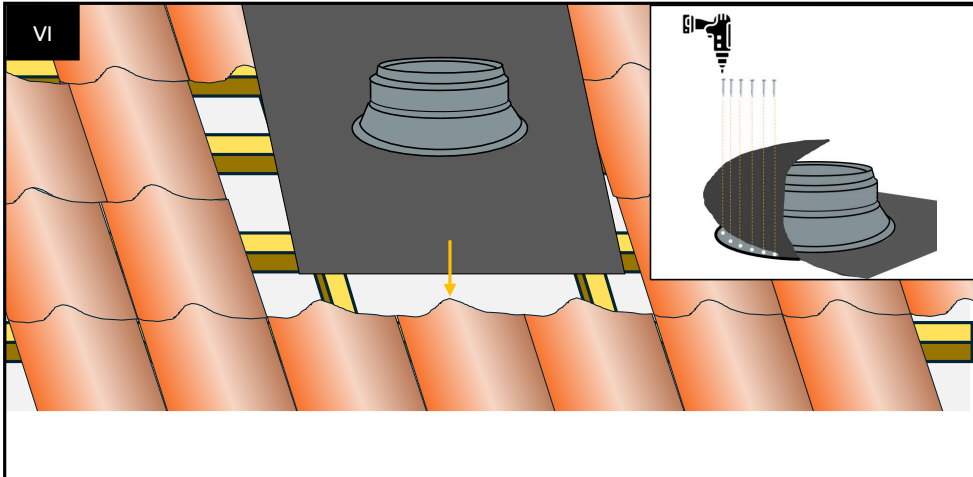
Intura SunTube + EcoPower insulation element



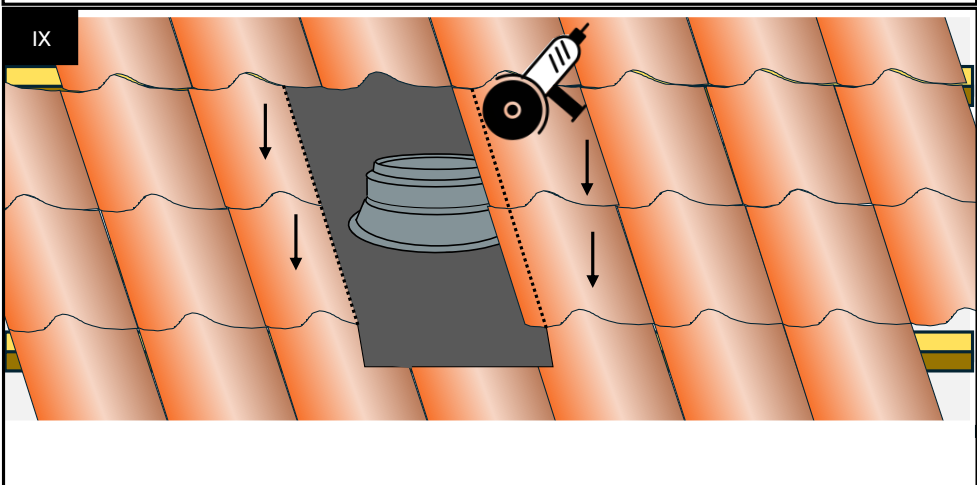
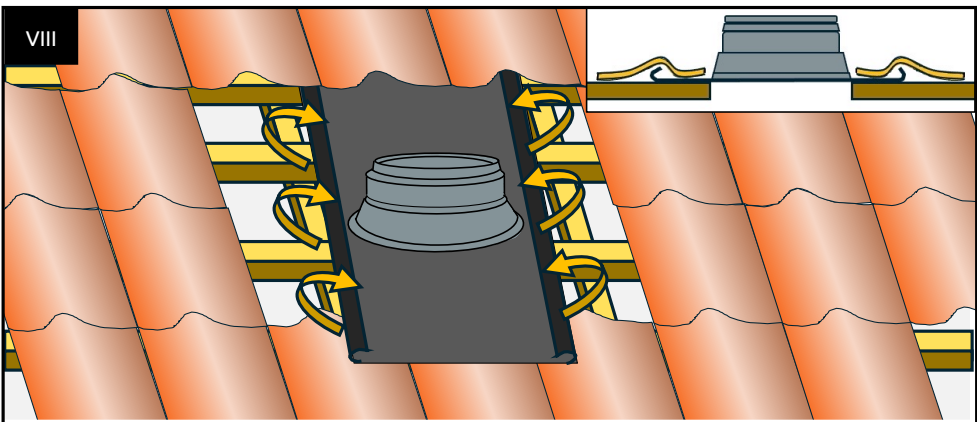
Intura SunTube + EcoPower insulation element



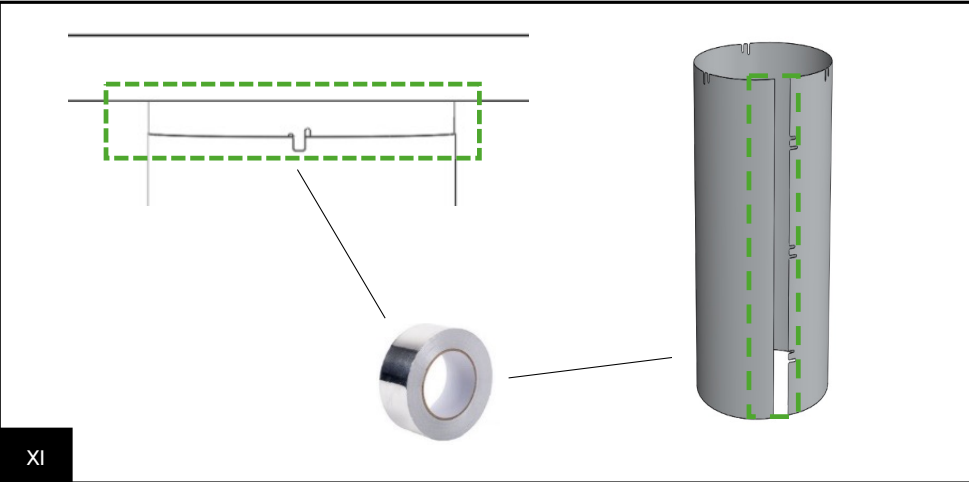
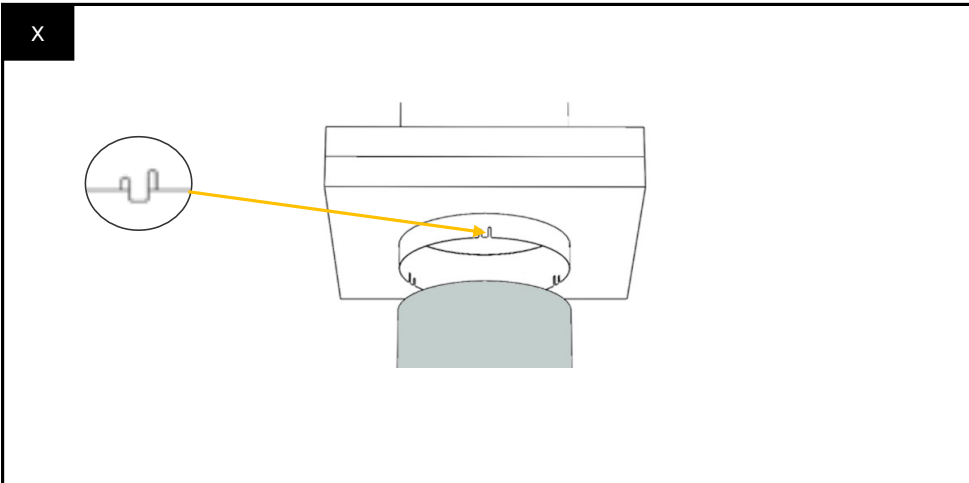
Intura SunTube + EcoPower insulation element



Intura SunTube + EcoPower insulation element

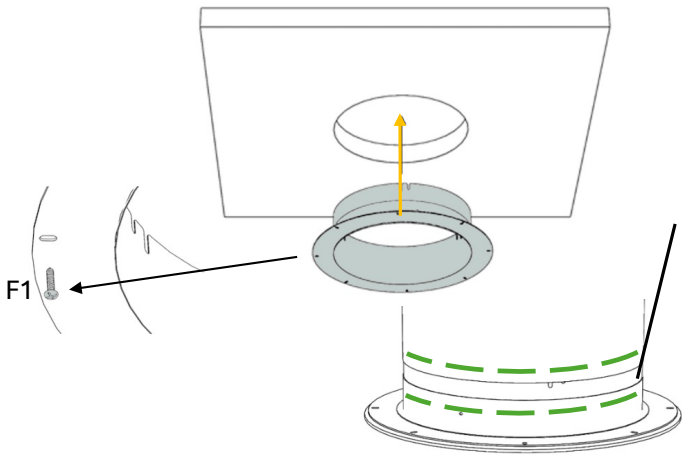


Intura SunTube + EcoPower insulation element

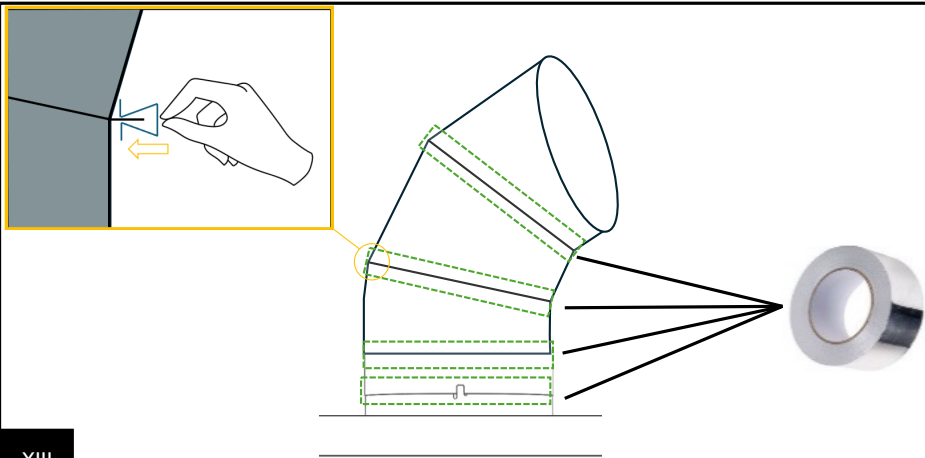


Intura SunTube + EcoPower insulation element

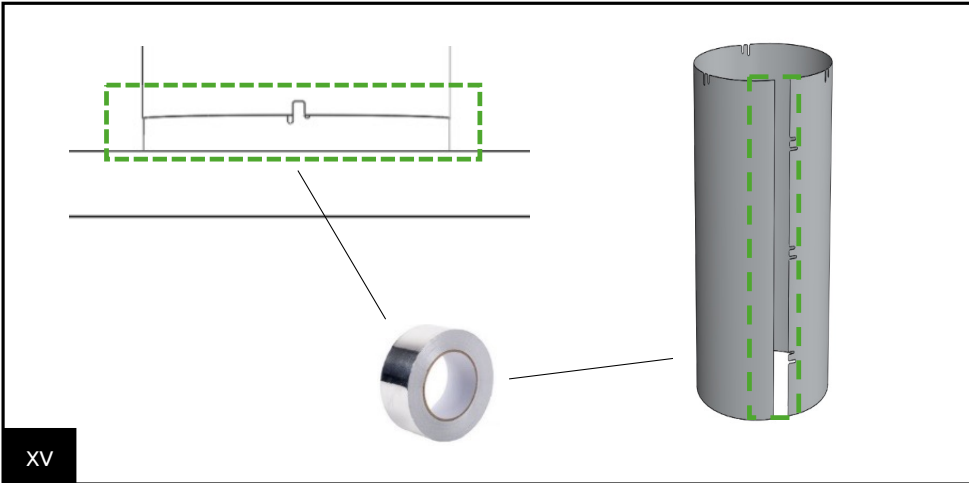
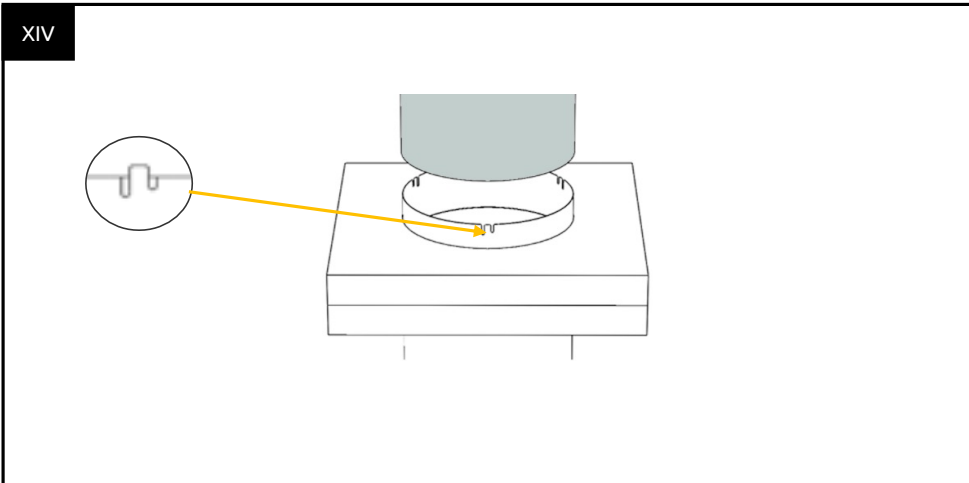
XII



XIII

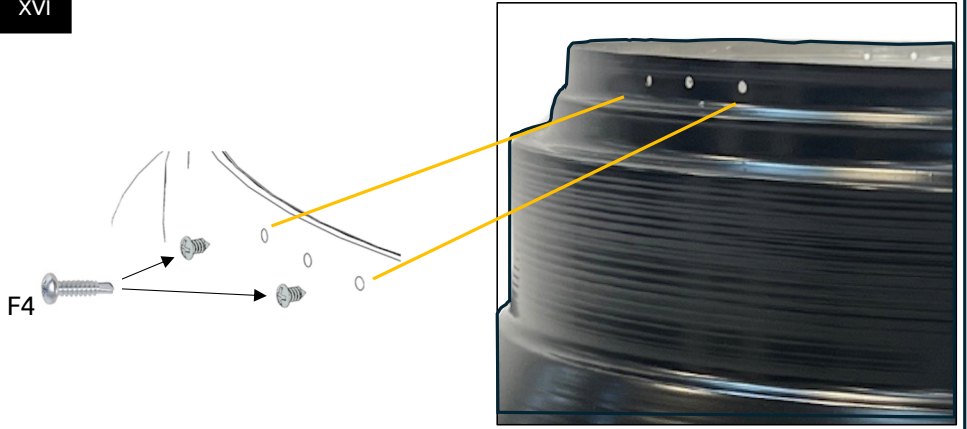


Intura SunTube + EcoPower insulation element

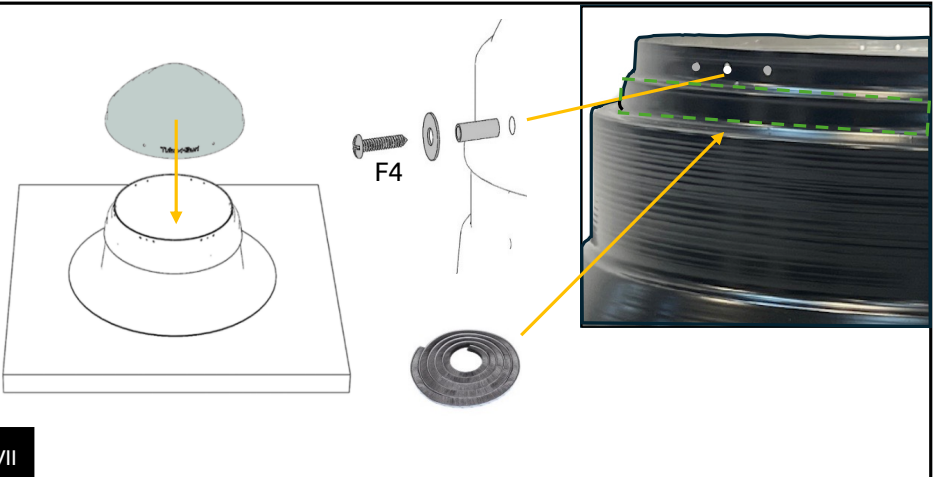


Intura SunTube + EcoPower insulation element

XVI

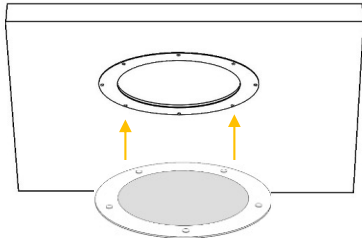
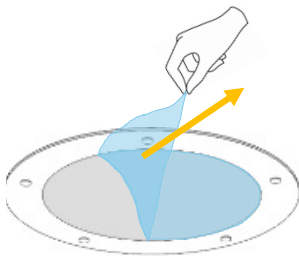


XVII



Intura SunTube + EcoPower insulation element

XVIII



Intura SunTube + EcoPower insulation element

This construction product is not a DIY product. For correct and safe installation, this product must be installed by a qualified roofing and/or construction professional. Installation must be carried out in accordance with applicable standard building regulations and the manufacturer's instructions.

By hiring a professional, you ensure correct installation and prevent any damage or problems with the operation of the product. Incorrect installation may result in structural damage and/or reduced performance, for which we are not responsible.

Always follow local building regulations and, if necessary, consult a specialist for additional guidance.

Please note:

Ensure that the installer is familiar with the specifications of the product. Regularly check that all regulations and safety measures are correctly observed during installation.

If you have any questions about the installation process, please contact your supplier or manufacturer for assistance.



Intura Daylight Systems Ltd.
15 Roxford Close
Upper Halliford | TW17 8RS
Tel. +44 1932 731759
email: info@intura.co.uk
URL: www.intura.co.uk
